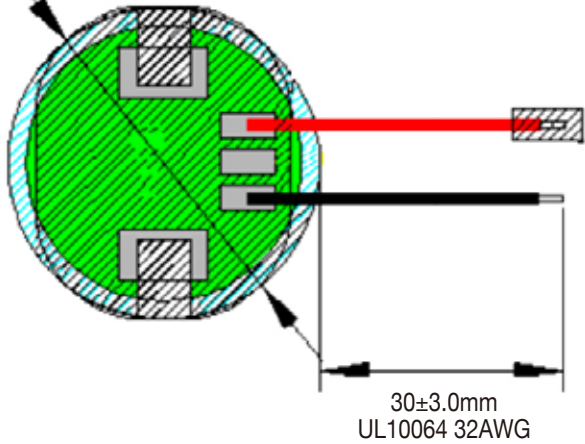
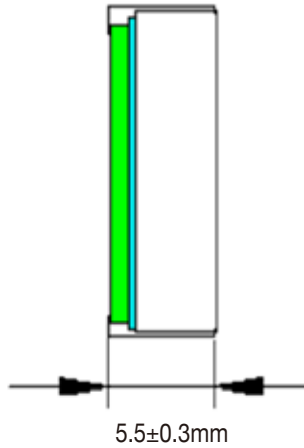


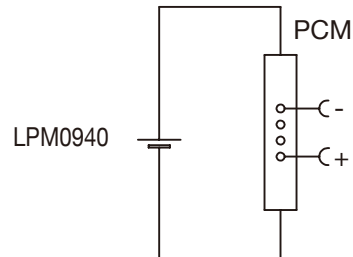
Diameter
9.5±0.5mm



LPM0940



Circuit diagram



Specification

Lithium Polymer Battery Pack LPM0940 3.7V 26mAh with Protection Circuit Module (PCM)
This data sheet describes the requirements and properties of lithium polymer rechargeable battery pack manufactured by LiPol Battery Co., Ltd - China

Mechanical Characteristics

Cell	▶ LPM0940
PCM	▶ Yes
NTC	▶ No
Configuration	▶ 1S1P
Weight	▶ appr. 1.5g
Connector	▶ No

Electrical Specification

Rated Capacity	▶ 25mAh min, 26mAh typ.
Nominal Voltage	▶ 3.7V
Wat-Hour Rating	▶ 0.09Wh
Max. Operating Voltage Range	▶ 3.0V to 4.2V
Max. Charge Voltage	▶ 4.2V ± 50mV
Max. Charge Current	▶ 26mA
Standard Charge Current	▶ 13mA
Max. Continuous Discharge Current	▶ 13mA
Standard Discharge Current	▶ 5.2mA
Discharge Cut Off	▶ 3.0V
Internal Impedance	▶ <800mΩ
Expected Cycle Life @ (0.5C/0.5C) @ 23±5°C	▶ 500 cycles ≥ 80%

Cell Protection

Overcharge Detection	▶ 4.25 ±50mV (0.7 to 1.3sec. delay, release 4.00V ±50mV)
Overdischarge Detection	▶ 2.75V ±50mV (14 to 26msec. delay, resume 3.50V ± 100mV)
Overcurrent Detection	▶ 0.2A to 0.75A (8 to 16msec. delay)

Ambient Conditions

Charge Temp. Range	▶ 0 to +45°C
Discharge Temp. Range	▶ -20 to +60°C
Storage Temp. Range	▶ 1 year at -20 to +30°C >70%
	▶ 3 moths at -20 to +45°C >70%
	▶ 1 month at -20 to +60°C >70%
Humidity	▶ 65 ±20%RH

Environmental and Safety

Please follow LiPol Handling and Safety Precautions for Lithium Polymer Battery.
This battery meets the requirements of Battery Directives, and the battery parts are IEC62133-2-2017 & RoHS-Compliant. For more safety precautions and performance standards, please go to www.lipolbattery.com/support.html

Mae in mm All dimensions in mm	Freimatoleranzen Generaltoleranzen		Date	Name	+ LiPol Battery	Zchng. / Dwg. Nr. MD_9842_10	Index
	Erst. / Orig	10.09.2021	Xie Qingfang				
Als Betriebsgeheimnis anvertraut, alle Rechte vorbehalten	up to 6	0,1	Gepr./Check	10.09.2021	Guo Daxia	3	support@lipolbattery.com
	over 6 up to 30	0,2	Benennung/ Designation		LPM9040		
Proprietary data, company confidential, all rights reserved.	over 30 up to 100	0,3	Origin:			www.lipolbattery.com	
	over 100	0,5					